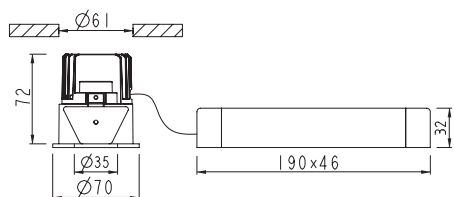
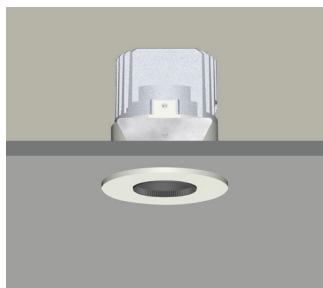


## LED MINI DOWNLIGHT with PIN HOLE and BLACK BAFFLE

Round, Ø 70mm



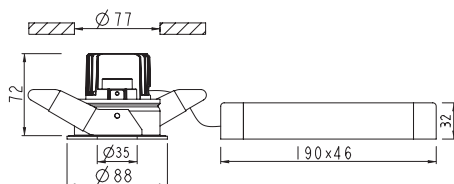
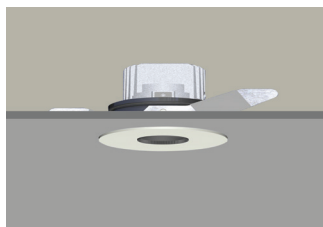
Light source	: High performance Philips Fortimo LED light module
Lumen output	: 800lm; 1100lm
Light colour	: Warm light, 3000K; Natural white, 4000K
Power consumption	: 10W – 12W
System efficacy	: 79-100lm/W
CRI	: >97
Voltage	: 220-240V/50/60Hz (other voltages upon request)
Lifetime	: 50,000 hours (L70 at Tc 95°C)
Driver unit	: Philips Xitanium LED driver
	Operating temperature from -20 to +65°C
Ceiling rim	: Die-cast aluminium with white powder coating (RAL9002)
Reflector	: High specular aluminium silver
Anti glare	: Black louvre
Heat sink	: Die-cast aluminium alloy with high heat conductance
Cable	: 400mm length multi-core cable
DALI control	: Optional
Ingress protection	: IP 20
Optimum working	
Temperature	: 25°C
Weight	: 0.23 kg

**31101.103** (1100lm, 3000K)

**31101.104** (1100lm, 4000K)

## LED MINI DOWNLIGHT with PIN HOLE and BLACK BAFFLE

Round, Ø 88mm



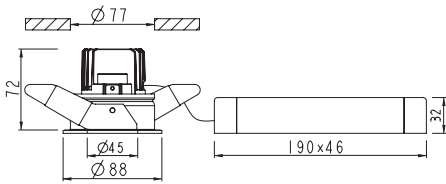
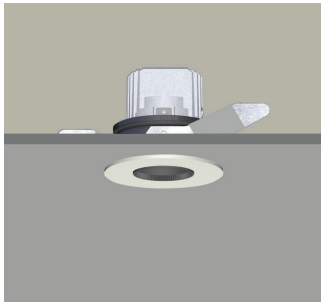
Light source	: High performance Philips Fortimo LED light module
Lumen output	: 1100lm
Light colour	: Warm light, 3000K; Natural white, 4000K
Power consumption	: 10W – 12W
System efficacy	: 79-100lm/W
CRI	: >95
Voltage	: 220-240V/50/60Hz (other voltages upon request)
Lifetime	: 50,000 hours (L70 at Tc 75°C)
Driver unit	: Philips Xitanium LED driver
	Operating temperature from -20 to +65°C
Ceiling rim	: Die-cast aluminium with white powder coating (RAL9002)
Reflector	: High specular aluminium silver
Anti glare	: Black louvre
Heat sink	: Die-cast aluminium alloy with high heat conductance
Cable	: 400mm length multi-core cable
DALI control	: Optional
Ingress protection	: IP 20
Optimum working	
Temperature	: 25°C
Weight	: 0.27 kg

**31092.103** (1100lm, 3000K)

**31092.104** (1100lm, 4000K)

## LED MINI DOWNLIGHT with PIN HOLE and BLACK BAFFLE

Round, Ø 88mm



Light source	: High performance Philips Fortimo LED light module
Lumen output	: 1100lm
Light colour	: Warm light, 3000K; Natural white, 4000K
Power consumption	: 10W – 12W
System efficacy	: 79-100lm/W
CRI	: >97
Voltage	: 220-240V/50/60Hz (other voltages upon request)
Lifetime	: 50,000 hours (L70 at Tc 75°C)
Driver unit	: Philips Xitanium LED driver



Operating temperature from -20 to +65°C

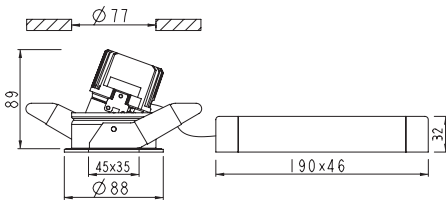
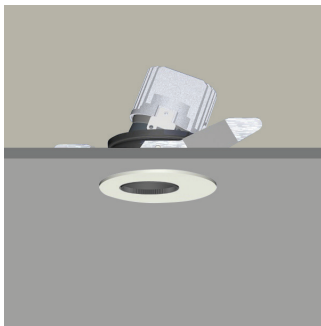
Ceiling rim	: Die-cast aluminium with white powder coating (RAL9002)
Reflector	: High specular aluminium silver
Anti glare	: Black louvre
Heat sink	: Die-cast aluminium alloy with high heat conductance
Cable	: 400mm length multi-core cable
DALI control	: Optional
Ingress protection	: IP 20
Optimum working Temperature	: 25°C
Weight	: 0.26 kg

**31093.103** (1100lm, 3000K)

**31093.104** (1100lm, 4000K)

## LED MINI DIRECTIONAL DOWNLIGHT with OVAL HOLE and BLACK BAFFLE

Round, Ø 88mm | Tilting angle 0° - 20°, rotatable 0 - 350°



Light source	: High performance Philips Fortimo LED light module
Lumen output	: 1100lm
Light colour	: Warm light, 3000K; Natural white, 4000K
Power consumption	: 10W – 12W
System efficacy	: 79-100lm/W
CRI	: >97
Voltage	: 220-240V/50/60Hz (other voltages upon request)
Lifetime	: 50,000 hours (L70 at Tc 75°C)
Driver unit	: Philips Xitanium LED driver



Operating temperature from -20 to +65°

Ceiling rim	: Die-cast aluminium with white powder coating (RAL9002)
Reflector	: High specular aluminium silver
Anti glare	: Black louvre
Tilting angle	: 20°
Heat sink	: Die-cast aluminium alloy with high heat conductance
Cable	: 400mm length multi-core cable
DALI control	: Optional
Ingress protection	: IP 20
Optimum working Temperature	: 25°C
Weight	: 0.31 kg

**31094.103** (1100lm, 3000K)

**31094.104** (1100lm, 4000K)

LACOSTE

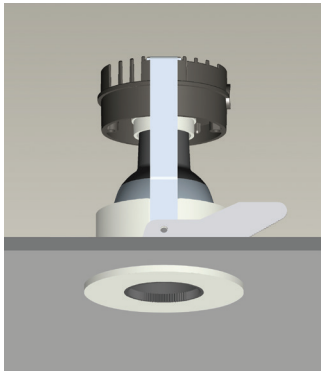


Kaputen  
→



## LED MINI DOWNLIGHT with PIN SPOT and BLACK BAFFLE

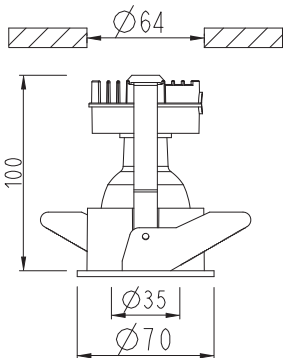
Round, Ø 70mm



Ceiling rim	: Die-cast aluminium with white powder coating (RAL9002)
Anti glare	: Black louvre
Heat sink	: Die-cast aluminium
Lamp holder	: GU10
Power Consumption	: 6W
Lumen Output	: 375lm
Light colour	: 2700K-4000K
Lamp Life	: 40,000 hours
Beam Angle	: 25/40°
Supply Voltage	: 230 volts
Cable	: 400mm length multi-core cable
Ingress protection	: IP 20
Weight	: 0.39 kg

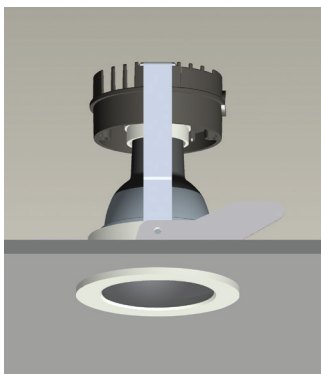
31136.002 (375lm, 2700K)

31136.002 (375lm, 3000K)



## LED MINI DOWNLIGHT with GLASS LENS

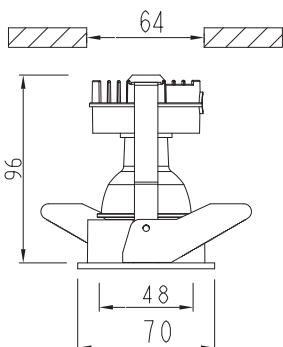
Round, Ø 70mm



Ceiling rim	: Die-cast aluminium with white powder coating (RAL9002)
Anti glare	: Black louvre
Heat sink	: Die-cast aluminium
Lamp holder	: GU10
Power Consumption	: 6W
Lumen Output	: 375lm
Light colour	: 2700K-4000K
Lamp Life	: 40,000 hours
Beam Angle	: 25/40°
Supply Voltage	: 230 volts
Cable	: 400mm length multi-core cable
Ingress protection	: IP 20
Weight	: 0.39 kg

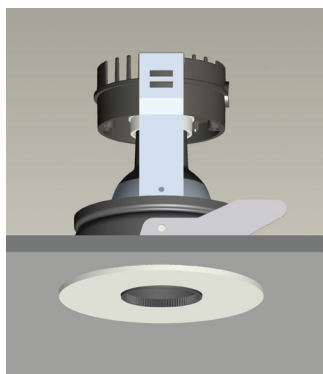
31137.002 (375lm, 2700K)

31137.003 (375lm, 3000K)

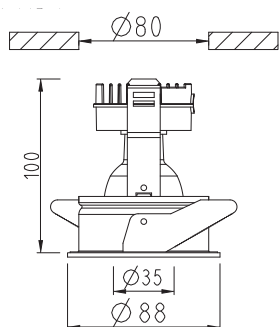


## LED MINI DOWNLIGHT with PIN SPOT and BLACK BAFFLE

Round, Ø 80mm



Ceiling rim	: Die-cast aluminium with white powder coating (RAL9002)
Anti glare	: Black louvre
Heat sink	: Die-cast aluminium
Lamp holder	: GU10
Power Consumption	: 6W
Lumen Output	: 375lm
Light colour	: 2700K-4000K
Lamp Life	: 40,000 hours
Beam Angle	: 25/40°
Supply Voltage	: 230 volts
Cable	: 400mm length multi-core cable
Ingress protection	: IP 20
Weight	: 0.39 kg

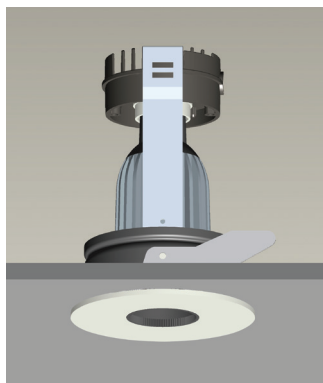


31134.002 (375lm, 2700K)

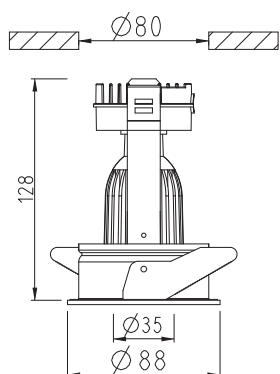
31134.003 (375lm, 3000K)

## LED MINI DOWNLIGHT with PIN SPOT and BLACK BAFFLE

Round, Ø 80mm



Ceiling rim	: Die-cast aluminium with white powder coating (RAL9002)
Anti glare	: Black louvre
Heat sink	: Die-cast aluminium
Lamp holder	: GU10
Power Consumption	: 8W
Lumen Output	: 450lm
Light colour	: 2700K-4000K
Lamp Life	: 40,000 hours
Beam Angle	: 25/40°
Supply Voltage	: 230 volts
Cable	: 400mm length multi-core cable
Ingress protection	: IP 20
Weight	: 0.39 kg

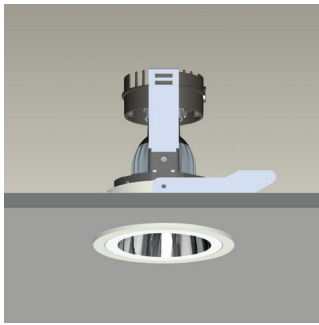


31135.002 (450lm, 2700K)

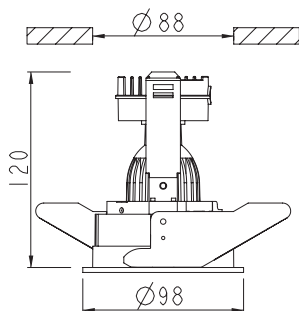
31135.003 (450lm, 3000K)

## LED MINI DOWNLIGHT with PIN HOLE

Round, Ø 98mm



Ceiling rim	: Die-cast aluminium with white powder coating (RAL9002)
Reflector	: High specular aluminium silver
Heat sink	: Die-cast aluminium
Lamp holder	: GU10
Power Consumption	: 8W
Lumen Output	: 450lm
Light colour	: 2700K-4000K
Lamp Life	: 40,000 hours
Beam Angle	: 25/40°
Supply Voltage	: 230 volts
Cable	: 400mm length multi-core cable
Ingress protection	: IP 20
Weight	: 0.34 kg

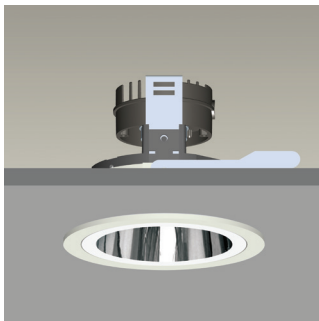


31116.002 (450lm, 2700K)

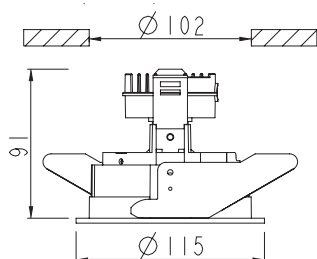
31116.003 (450lm, 3000K)

## LED MINI DOWNLIGHT with PIN HOLE

Round, Ø 115mm



Ceiling rim	: Die-cast aluminium with white powder coating (RAL9002)
Reflector	: High specular aluminium silver
Heat sink	: Die-cast aluminium
Lamp holder	: GU10
Power Consumption	: 6W
Lumen Output	: 375lm
Light colour	: 2700K-4000K
Lamp Life	: 40,000 hours
Beam Angle	: 25/40°
Supply Voltage	: 230 volts
Cable	: 400mm length multi-core cable
Ingress protection	: IP 20
Weight	: 0.29 kg



31117.002 (375lm, 2700K)

31117.003 (375lm, 3000K)

ΣΥΝΕΡΓΑΖΟΜΕΝΟΙ

GP  
D-PERREGAUX

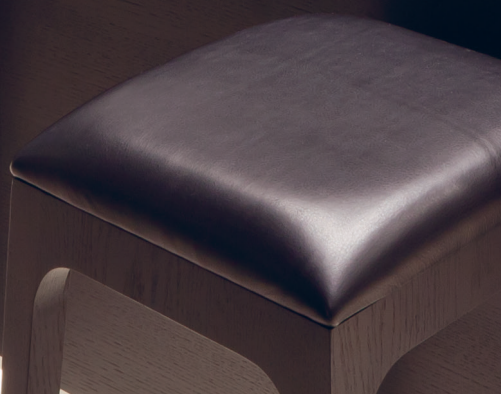
GP  
D-PERREGAUX

LONGINES

Chopard

JAEGER-LECOULTRE

PAGET





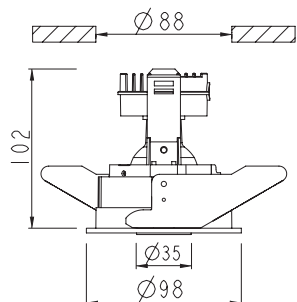
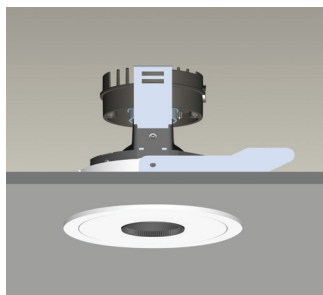
BUCHERER  
1888

Bucherer Interlaken



## LED MINI DOWNLIGHT with PIN HOLE and BLACK BAFFLE

Round, Ø 98mm



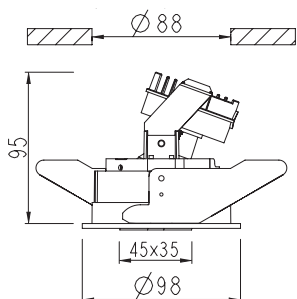
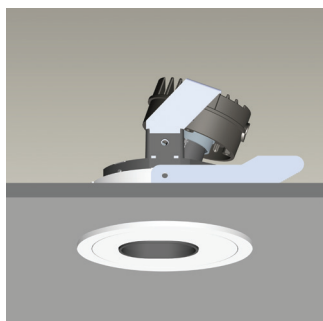
Ceiling rim	: Die-cast aluminium with white powder coating (RAL9002)
Anti glare	: Black louvre
Heat sink	: Die-cast aluminium
Lamp holder	: GU10
Power Consumption	: 6W
Lumen Output	: 375lm
Light colour	: 2700K, 3000K, 4000K
Lamp Life	: 40,000 hours
Beam Angle	: 25/40°
Supply Voltage	: 230 volts
Cable	: 400mm length multi-core cable
Ingress protection	: IP 20
Weight	: 0.27 kg

**31071.002** (375lm, 2700K)

**31071.003** (375lm, 3000K)

## LED DIRECTIONAL MINI DOWNLIGHT with OVAL HOLE and BLACK BAFFLE

Round, Ø 98mm | Tilting angle 20°, rotatable 350°



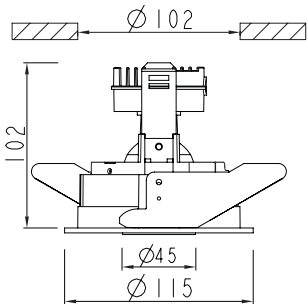
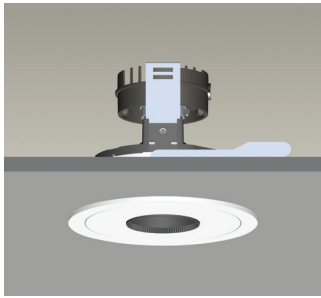
Ceiling rim	: Die-cast aluminium with white powder coating (RAL9002)
Reflector	: High specular aluminium silver
Anti glare	: Black louvre
Tilting angle	: 20°
Heat sink	: Die-cast aluminium
Lamp holder	: GU10
Power Consumption	: 6W
Lumen Output	: 375lm
Light colour	: 2700K, 3000K, 4000K
Lamp Life	: 40,000 hours
Beam Angle	: 25/40°
Supply Voltage	: 230 volts
Cable	: 400mm length multi-core cable
Ingress protection	: IP 20
Weight	: 0.28 kg

**31076.002** (375lm, 2700K)

**31076.003** (375lm, 3000K)

## LED MINI DOWNLIGHT with PIN HOLE and BLACK BAFFLE

Round, Ø 115mm



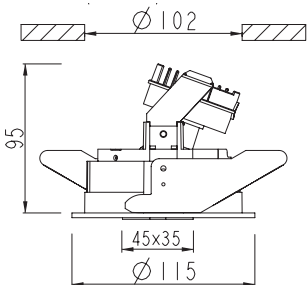
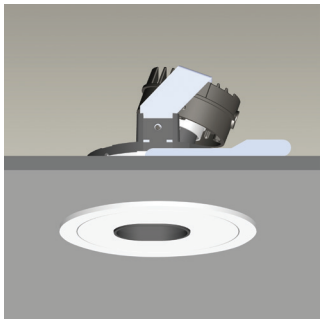
Ceiling rim	: Die-cast aluminium with white powder coating (RAL9002)
Reflector	: High specular aluminium silver
Anti glare	: Black louvre
Heat sink	: Die-cast aluminium
Lamp holder	: GU10
Power Consumption	: 6W
Lumen Output	: 375lm
Light colour	: 2700K, 3000K, 4000K
Lamp Life	: 40,000 hours
Beam Angle	: 25/40°
Supply Voltage	: 230 volts
Cable	: 400mm length multi-core cable
Ingress protection	: IP 20
Weight	: 0.32 kg

**31072.002** (375lm, 2700K)

**31072.003** (375lm, 3000K)

## LED MINI DIRECTIONAL and ROTATABLE DOWNLIGHT with OVAL HOLE and BLACK BAFFLE

Round, Ø 115mm | Tilting angle 20°, rotatable 350°



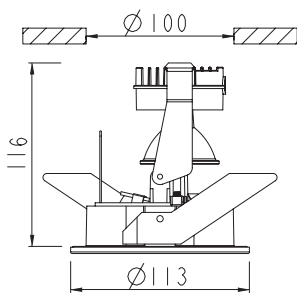
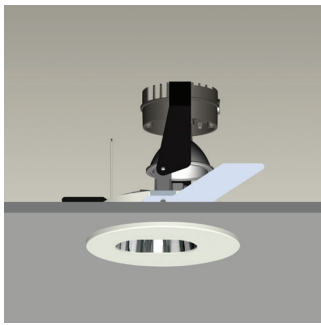
Ceiling rim	: Die-cast aluminium with white powder coating (RAL9002)
Reflector	: High specular aluminium silver
Anti glare	: Black louvre
Tilting angle	: 20°
Heat sink	: Die-cast aluminium
Lamp holder	: GU10
Power Consumption	: 6W
Lumen Output	: 375lm
Light colour	: 2700K-4000K
Lamp Life	: 40,000 hours
Beam Angle	: 25/40°
Supply Voltage	: 230 volts
Cable	: 400mm length multi-core cable
Ingress protection	: IP 20
Weight	: 0.29 kg

**31077.002** (375lm, 2700K)

**31077.003** (375lm, 3000K)

## LED MINI DIRECTIONAL and ROTATABLE DOWNLIGHT with OVAL HOLE

Round, Ø 113mm | Tilting angle 0° - 20°, rotatable 350°



Ceiling rim	: Die-cast aluminium with white powder coating (RAL9002)
Reflector	: High specular aluminium silver
Tilting angle	: 20°
Heat sink	: Die-cast aluminium
Lamp holder	: GU10
Power Consumption	: 6W
Lumen Output	: 375lm
Light colour	: 2700K-4000K
Lamp Life	: 40,000 hours
Beam Angle	: 25/40°
Supply Voltage	: 230 volts
Cable	: 400mm length multi-core cable
Ingress protection	: IP 20
Weight	: 0.35 kg

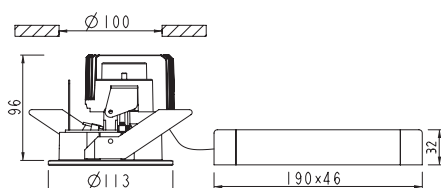
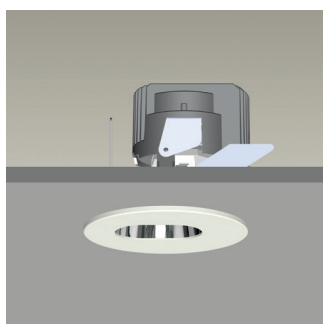
31126.002 (375lm, 2700K)

31126.003 (375lm, 3000K)



## LED DIRECTIONAL and ADJUSTABLE MINI DOWNLIGHT with OVAL HOLE

Round, Ø113 mm | Tilting angle 0° - 30°, rotatable 350°



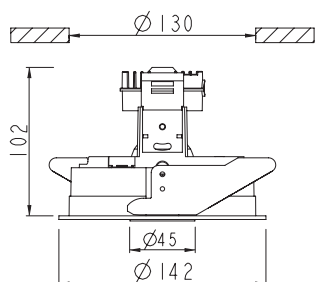
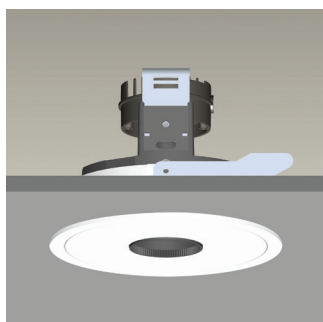
Light source	: High performance Philips Fortimo LED light module
Lumen output	: 800lm; 1100lm
Light colour	: Warm light, 3000K; Natural white, 4000K
Power consumption	: 10W
System efficacy	: 79-100lm/W
CRI	: >97
Voltage	: 220-240V/50/60Hz (other voltages upon request)
Lifetime	: 50,000 hours (L70 at Tc 75°C)
Driver unit	: Philips Xitanium LED driver
	Operating temperature from -20 to +65°C
Ceiling rim	: Die-cast aluminium with white powder coating (RAL9002)
Reflector	: High specular aluminium silver
Anti glare	: Black louvre
Tilting angle	: 30°
Heat sink	: Die-cast aluminium alloy with high heat conductance
Cable	: 400mm length multi-core cable
DALI control	: Optional
Ingress protection	: IP 20
Optimum working	
Temperature	: 25°C
Weight	: 0.49 kg

**31125.103** (1100lm, 3000K)

**31125.104** (1100lm, 4000K)

## LED MINI DOWNLIGHT with PIN HOLE and BLACK BAFFLE

Round, Ø 142mm



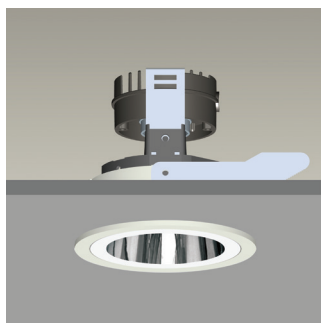
Ceiling rim	: Die-cast aluminium with white powder coating (RAL9002)
Reflector	: High specular aluminium silver
Anti glare	: Black louvre
Heat sink	: Die-cast aluminium
Lamp holder	: GU10
Power Consumption	: 6W
Lumen Output	: 375lm
Light colour	: 2700K, 3000K, 4000K
Lamp Life	: 40,000 hours
Beam Angle	: 25/40°
Supply Voltage	: 230 volts
Cable	: 400mm length multi-core cable
Ingress protection	: IP 20
Weight	: 0.35 kg

**31048.002** (375lm, 2700K)

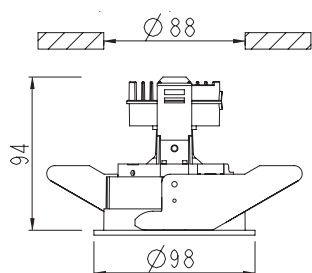
**31048.003** (375lm, 3000K)

## LED MINI DOWNLIGHT with PIN HOLE

Round, Ø 98mm



Ceiling rim	: Die-cast aluminium with white powder coating (RAL9002)
Reflector	: High specular aluminium silver
Heat sink	: Die-cast aluminium
Lamp holder	: GU10
Power Consumption	: 6W
Lumen Output	: 375lm
Light colour	: 2700K-4000K
Lamp Life	: 40,000 hours
Beam Angle	: 25/40°
Supply Voltage	: 230 volts
Cable	: 400mm length multi-core cable
Ingress protection	: IP 20
Weight	: 0.26 kg

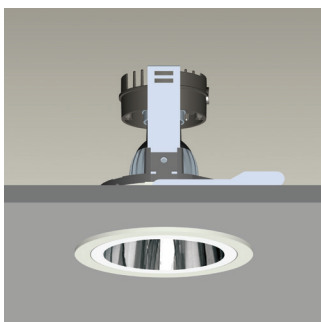


31122.002 (375lm, 2700K)

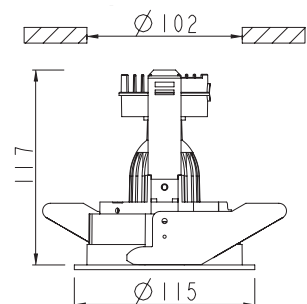
31122.003 (375lm, 3000K)

## LED MINI DOWNLIGHT with PIN HOLE

Round, Ø 115mm



Ceiling rim	: Die-cast aluminium with white powder coating (RAL9002)
Reflector	: High specular aluminium silver
Heat sink	: Die-cast aluminium
Lamp holder	: GU10
Power Consumption	: 8W
Lumen Output	: 450lm
Light colour	: 2700K-4000K
Lamp Life	: 40,000 hours
Beam Angle	: 25/40°
Supply Voltage	: 230 volts
Cable	: 400mm length multi-core cable
Ingress protection	: IP 20
Weight	: 0.35 kg

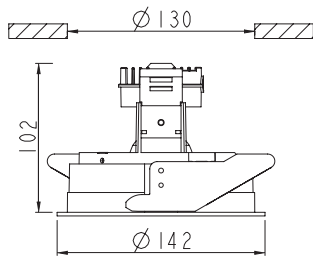
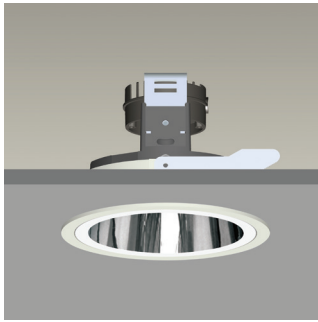


31118.002 (450lm, 2700K)

31118.003 (450lm, 3000K)

## LED DOWNLIGHT with PIN HOLE

Round, Ø 142mm



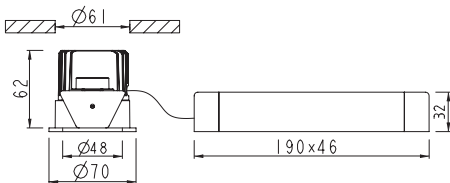
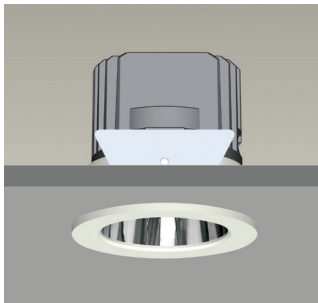
Ceiling rim	: Die-cast aluminium with white powder coating (RAL9002)
Reflector	: High specular aluminium silver
Heat sink	: Die-cast aluminium
Lamp holder	: GU10
Power Consumption	: 6W
Lumen Output	: 375lm
Light colour	: 2700K-4000K
Lamp Life	: 40,000 hours
Beam Angle	: 25/40°
Supply Voltage	: 230 volts
Cable	: 400mm length multi-core cable
Ingress protection	: IP 20
Weight	: 0.35 kg

**31119.002** (375lm, 2700K)

**31119.003** (450lm, 3000K)

## LED MINI DOWNLIGHT with GLASS LENS

Round, Ø 70mm



Light source	: High performance Philips Fortimo LED light module
Lumen output	: 1100lm
Light colour	: Warm light, 3000K; Natural white, 4000K
Power consumption	: 10W
System efficacy	: 79-100lm/W
CRI	: >97
Voltage	: 220-240V/50/60Hz (other voltages upon request)
Lifetime	: 50,000 hours (L70 at Tc 75 °C)
Driver unit	: Philips Xitanium LED driver



Operating temperature from -20 to +65°C

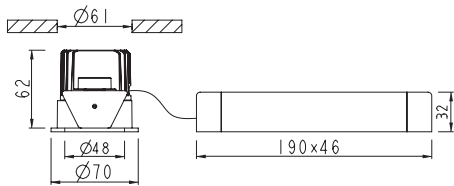
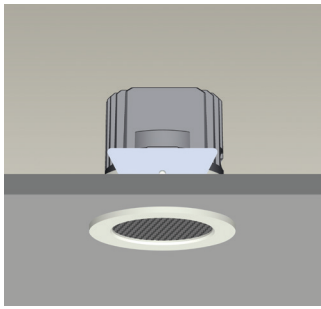
Ceiling rim	: Die-cast aluminium with white powder coating (RAL9002)
Reflector	: High specular aluminium silver
Diffuser	: Wide angle glass lens
Heat sink	: Die-cast aluminium alloy with high heat conductance
Cable	: 400mm length multi-core cable
DALI control	: Optional
Ingress protection	: IP 44
Optimum working Temperature	: 25°C
Weight	: 0.22 kg

**31099.103** (1100lm, 3000K)

**31099.104** (1100lm, 4000K)

## LED MINI DOWNLIGHT with HONEYCOMB LOUVRE

Round, Ø 70mm



Light source	: High performance Philips Fortimo LED light module
Lumen output	: 1100lm
Light colour	: Warm light, 3000K; Natural white, 4000K
Power consumption	: 10W
System efficacy	: 79-100lm/W
CRI	: >97
Voltage	: 220-240V/50/60Hz (other voltages upon request)
Lifetime	: 50,000 hours (L70 at Tc 75°C)
Driver unit	: Philips Xitanium LED driver



Operating temperature from -20 to +65°C

Ceiling rim	: Die-cast aluminium with white powder coating (RAL9002)
Reflector	: High specular aluminium silver
Diffuser	: Wide angle glass lens
Heat sink	: Die-cast aluminium alloy with high heat conductance
Cable	: 400mm length multi-core cable
DALI control	: Optional
Ingress protection	: IP 20
Optimum working Temperature	: 25°C
Weight	: 0.21 kg

31100.103 (1100lm, 3000K)

31100.104 (1100lm, 4000K)

