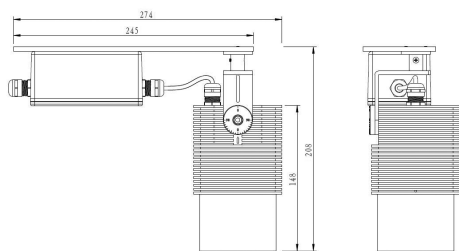
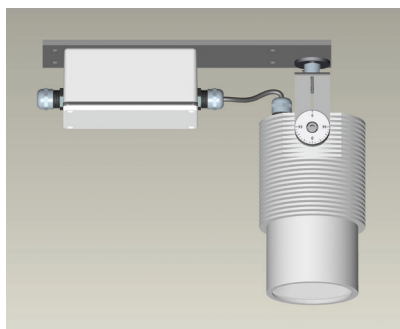


LED MINI DOWNLIGHT with GLASS LENS

294 X 208mm



Light source : High performance Philips Fortimo LED light module
Lumen output : 2000lm/3000lm; 3000lm
Light colour : Warm light, 3000K; Natural white, 4000K
Power consumption : 19-32W
System efficacy : 79-100lm/W
CRI : >97
Voltage : 220-240V/50/60Hz (other voltages upon request)
Lifetime : 50,000 hours (L70 at Tc 75°C)
Driver unit : Philips Xitanium LED driver



Operating temperature from -20 to +65°C

Ceiling rim : Aluminium with white powder coating (RAL9002)
Reflector : High specular aluminium silver, 15/24/45/77 deg
Diffuser : Clear glass lens
Heat sink : Aluminium alloy with high heat conductance
DALI control : Optional
Ingress protection : IP 55
Optimum working Temperature : 25°C
Weight : 1.45 kg

31133.203 (2000lm, 3000K)

31133.303 (3000lm, 3000K)

31133.204 (2000lm, 4000K)

31133.304 (3000lm, 4000K)

